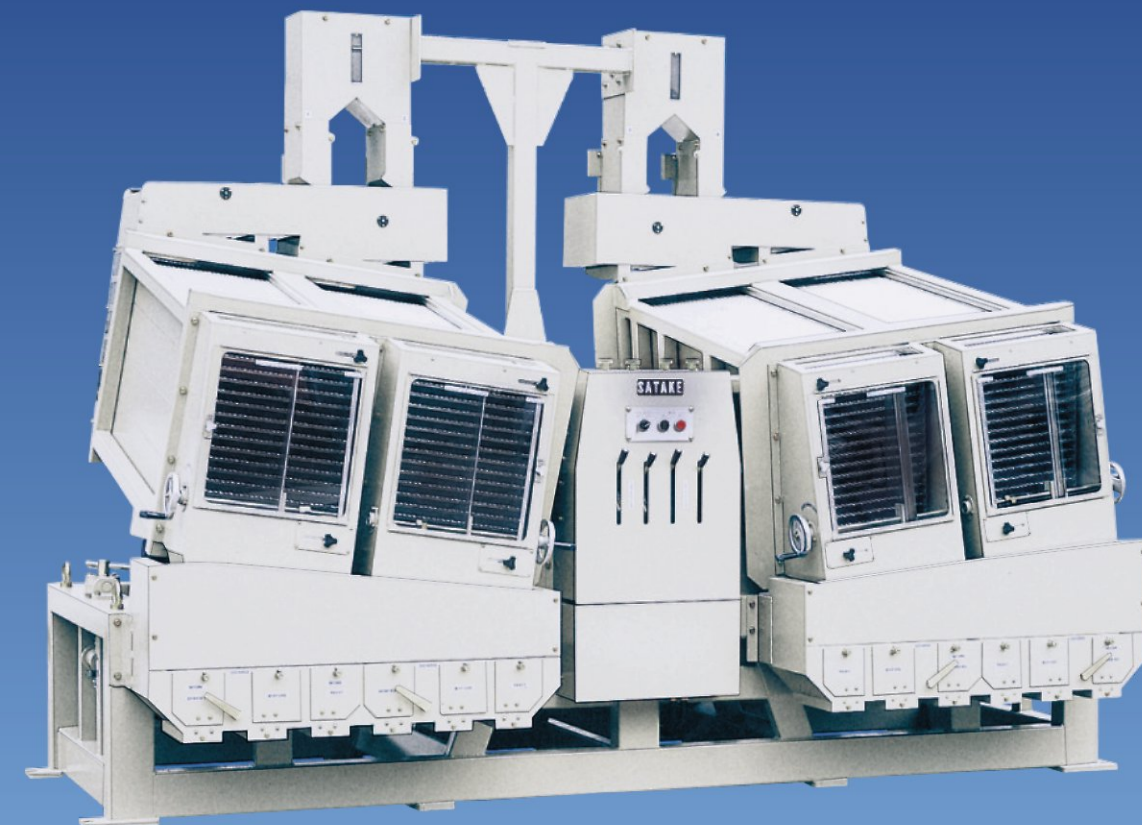


High Performance Paddy Separator

PADDY SEPARATOR

PS200D(2)-T / 400D-T / 800D / 800DR



PS800D

The Satake paddy Separator PS is an oscillation-type paddy separator with a very high sorting performance and an easy maintenance design. All varieties of rice such as long grain, medium grain and short grain can be sorted easily and accurately. It separates a mixture of paddy and brown rice into three distinct classes: paddy, mixture of paddy and brown rice and brown rice, to be sent to a husker, back to the paddy separator and to a rice whitener, respectively.

FEATURES:

- 1. Stable Performance**
Adjustment during operation is not necessary because of its constant and stable separating performance.
- 2. Minimized Installation Space**
Compact design and large capacity means that installation space for a given separating capacity is very small.
- 3. Automatic Stop Device**
Machine automatically stops when the tank is nearly empty.
- 4. Easy Sampling**
Samples of brown rice can be taken from a special outlet by diverter valves, for easy inspection of quality and flow rate.
- 5. Easy Inspection of Separating Condition**
The discharge side is covered with a transparent cover so that the separating conditions of the grain are easily checked.
- 6. Easy Flow Adjustment**
Flow rates are adjusted by a manual remote lever on "D" model and by increase / decrease buttons on "DR" model.

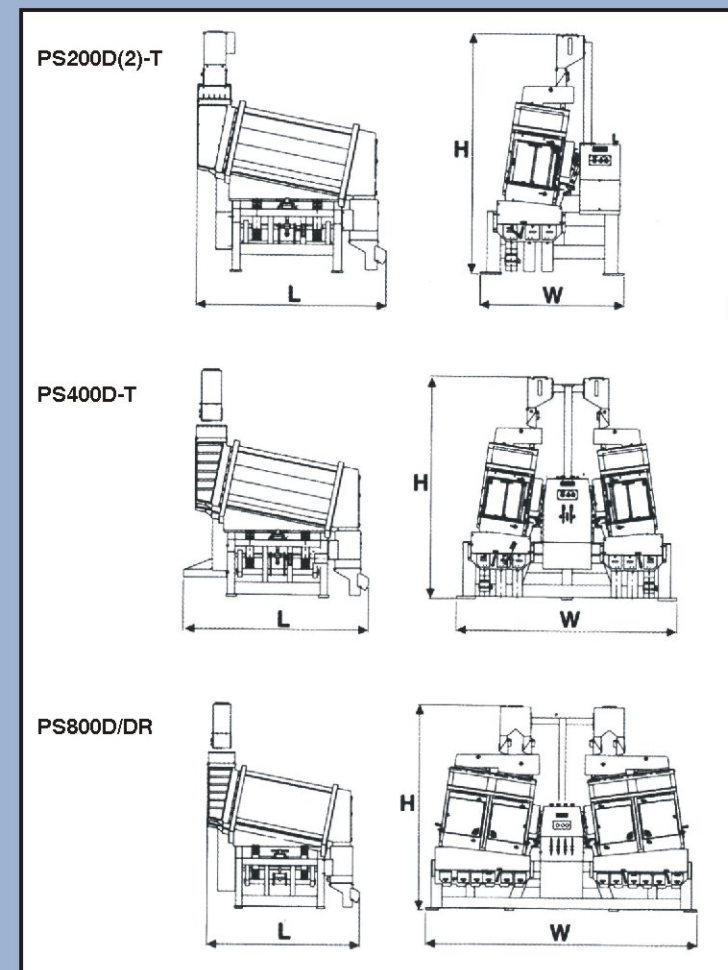
PADDY SEPARATOR

Specifications

Model	PS200D(2)-T	PS400D-T	PS800D/DR
Required Power (kW)	0.75(4P)	2.2(4P)	3.7(4P)
Output Capacity(t/h)*1	2~3	4~6	7~10

*1 Brown Rice, Long Grain.

Dimensions



Model	W(mm)	L(mm)	H(mm)	Weight (Kg)	Volume (m ³)
PS200D(2)-T	1,330	1,760	2,220	970	5.7
PS400D-T	2,230	1,870	2,240	1,670	9.4
PS800D/DR	3,130	1,760	2,360	2,250 / 2,300	14.0

All Satake products are the subject of continuous development and, as a result, their specification may change and differ in detail from those shown.

SATAKE CORPORATION

Head Office
2-30 Saijo Nishihonmachi,
Higashi-Hiroshima-shi,
Hiroshima-ken, 739-8602, Japan
Tel : +81-82-420-8560/8539
Fax : +81-82-420-0965
e-mail : international@satake-japan.co.jp
URL : www.satake-japan.co.jp

SATAKE USA INC.
10905 Cash Road,
Stafford, Texas, 77477, U.S.A.
Tel : +1-281-276-3600
Fax : +1-281-494-1460
e-mail : rice@satake-usa.com
URL : www.satake-usa.com

SATAKE (CANADA) INC.
5100 Fallingbrook Drive,
Mississauga, Ontario, L5V 1S7,
Canada
Tel : +1-905-858-0791
Fax : +1-905-858-0957
e-mail : sales@satake-canada.com

SATAKE AMERICA LATINA LTDA.
Rua Xavantes, 155-Pav. 20,
Bairro Atiradores, CEP
89203-210, Joinville, Santa
Catarina, Brazil
Tel : +55-47-3461-1313
Fax : +55-47-3461-1300
e-mail : ricardo@satake.com.br

SATAKE EUROPE LTD.
P.O. Box 53, Horsfield Way,
Bredbury Industrial Park, Bredbury,
Stockport, Cheshire, SK6 2FG, U.K.
Tel : +44-161-406-3800
Fax : +44-161-406-3801
e-mail : sales@satake-europe.com
URL : www.satake-europe.com

SATAKE CORPORATION has
obtained ISO 9001 and ISO
14001 certification.
These international standards
for management systems
ensure Satake will continue to
provide high quality products
and services.

SATAKE INDIA ENGINEERING PVT. LTD.
4th Floor, Tower-1, HB Twin Towers,
A2, 3, 4, Netaji Subhash Place,
Wazirpur District Centre, New
Delhi, 110034, India
Tel : +91-11-4706-2626
Fax : +91-11-4706-2624
e-mail : satake@del2.vsnl.net.in

SATAKE (THAILAND) CO., LTD.
133 Moo 5, Bangkok Industrial
Park, Tivanon Road, Pathumthani,
12000, Thailand
Tel : +66-2-501-1180
Fax : +66-2-601-1188
e-mail : satake@asia.com
URL : http://www.satake.com/

SATAKE INTERNATIONAL BANGKOK CO., LTD.
888/94 Mahatun Plaza Bld., 8th
Floor, Ploenchit Rd., Lumpini,
Pathumwan, Bangkok, 10330,
Thailand
Tel : +66-2-651-5845
Fax : +66-2-651-5848
e-mail : satake@asia.com

SATAKE MANUFACTURING (SUZHOU) CO., LTD.
229 Jin Fang Road, Suzhou New
District, Suzhou, Jiangsu Province,
215129, China
Tel : +86-512-6536-8225
Fax : +86-512-6536-5922
e-mail : satake@satake.cn

SATAKE AUSTRALIA PTY. LTD.
15 Leland Street, Penrith, N.S.W.,
2750, Australia
Tel : +61-2-4725-2600
Fax : +61-2-4725-2601
e-mail : info@satake.com.au
URL : www.satake.com.au

ISO 9001 Certification
(Quality Management System)
ISO 14001 Certification
(Environmental Management System)

SATAKE CORPORATION