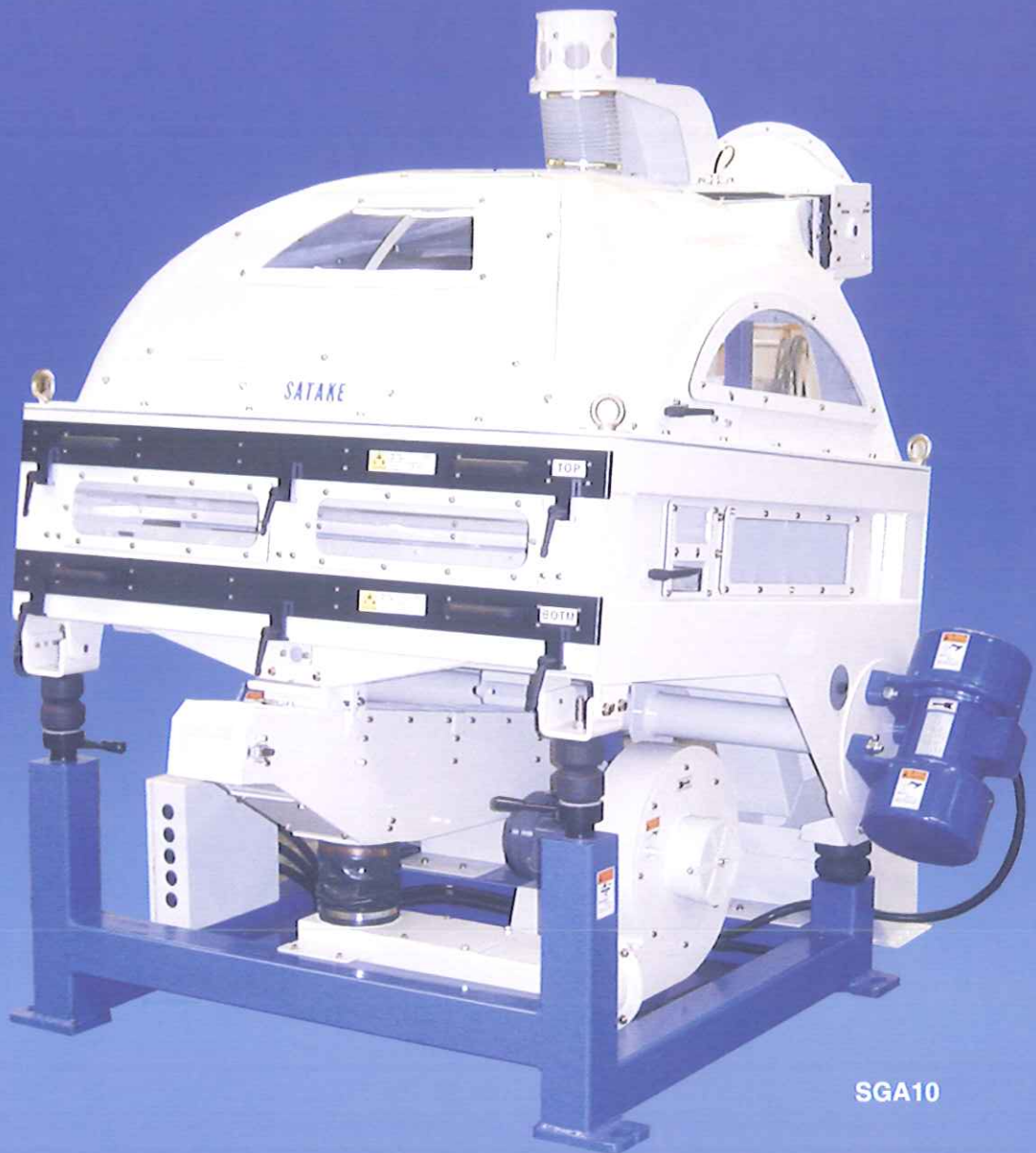


Destoner with Solid Performance

DESTONER

SGA5B-T / 10B(1)-T/SGA15BD



SGA10

GRAVITY SELECTOR

The Satake Gravity Selector SGA concentrates impurities for more efficient separation by subsequent machines.

It can be used for the various grains such as rice, wheat, rye, barley and others, by selection of appropriate screens.

It separates the material into four groups by density:

- 1) stones and other heavy impurities
- 2) whole clean grain
- 3) low density and damaged kernels with light impurities
- 4) dust.

FEATURES:

1. **Very Low Maintenance:**
Heavy-duty construction, permanent lubrication, and easy access to sieves for cleaning or replacement result in very low maintenance.
2. **Compact Design:**
The Satake Gravity Selector is a compact unit and requires less installation space. The vibratory drive eliminates the need for any pulleys, belts, eccentric bearings etc.
3. **Closed Circuit Type Also Available:**
The SGA10AC type has a closed circuit aspirator attached. The closed circuit model has the higher efficiency of air utilization, and contributes to the improved sanitation in plants.

Specifications

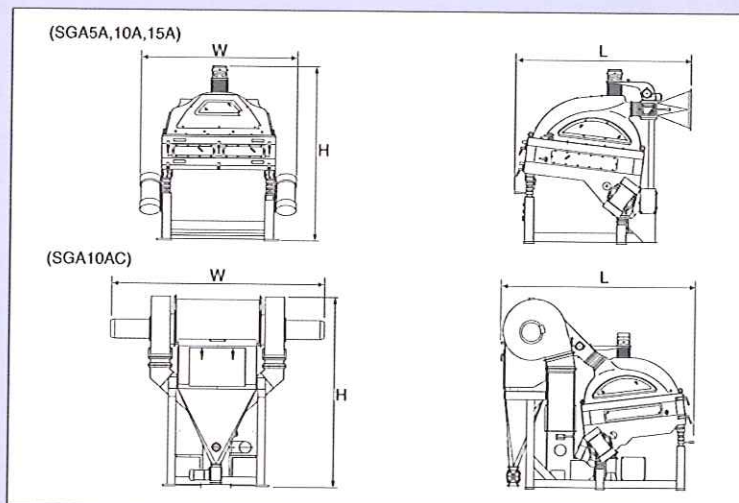
Model	SGA5 -T	SGA10B(1)-T	SGA15BD	SGA10AC-T
Type	Open Circuit			Closed Circuit
Capacity (t/h)	Paddy	3	7	10
	Brown Rice	5	7	12
	Wheat	6~9	9~18	18~30
Required Motor (kW)	2.2	2.7	2.7	16.4
Air Volume (m ³ /min.)	Paddy,Brown Rice	80~90	120~140	180~210
	Wheat	80~90	160~170	190~210
Static Pressure (kPa)	-0.7	-0.7	-0.7	-0.7

Material Condition

Material	Moisture Content(%)	Bulk Density(t/m ³)
Paddy	Below 15	0.50~0.60
Brown Rice	Below 15	0.75~0.80
Wheat	Below 15	0.72~0.85

*Capacities are dependent on material characteristics.

Dimensions



Model	W (mm)	L (mm)	H (mm)	Net Weight (kg)
SGA5	1,225	1,955	1,979	620
SGA10	1,754	1,955	1,946	750
SGA15	2,371	1,955	2,180	1,020
SGA10AC-T	2,723	2,485	2,430	1,020

*Dimension with secondary sorting device

All Satake products are the subject of continuous development and, as a result, their specification may change and differ in detail from those shown.

SATAKE CORPORATION is registered with ISO9001 standards for quality management systems and ISO14001 standards for environmental management systems.



SATAKE CORPORATION

Head Office
2-30, Saijo-Nishihonmachi, Higashi-Hiroshima, 739-8602, Japan
Tel: +81-82-420-8560/8539
Fax: +81-82-420-0865
e-mail: kg.hiroshima@satake-japan.co.jp
URL: www.satake-japan.co.jp

UK Division
P.O.Box 53, Breobury, Stockport, Cheshire, SK6 2FG, England
Tel: +44-161-406-3800
Tel: +44-161-406-3801
e-mail: sales@satake.co.uk
URL: www.satake.co.uk

Yangon Office
No.32, Pyay Road, Hlaing Township, Yangon Myanmar
Tel: +95-1-525077
Fax: +95-1-512742
e-mail: ygsatake@mrptmail.net.mm

Beijing Office
Yu Yang Hotel, Room 920, Xin Yuan Xi Li Street, Chao Yang District, Beijing, 100027, People's Republic of China
Tel: +86-10-8454-0146
Fax: +86-10-8454-0145

SATAKE USA INC.
10905 Cash Road, Stafford, Texas 77477 U.S.A.
Tel: +1-281-276-3600
Tel: +1-281-494-1375
e-mail: rice@satake-usa.com
URL: www.satake-usa.com

SATAKE (CANADA) INC.
2550 Argentia Road, Suite 119 Mississauga, Ontario L5N 5R1 Canada
Tel: +1-905-858-0791
Fax: +1-905-858-0957



SATAKE AMERICA LATINA LTDA.
Rua Xavantes, 155-Bairro Atiradores, CEP 89203-210, Joinville, Santa Catarina, Brazil
Tel: +55-47-438-0413
Fax: +55-47-438-7932
e-mail: ricardo@satake.com.br

SATAKE INDIA ENGINEERING PVT.LTD.
4th Floor, Tower-1, HB Twin Towers, A2, 3, 4-Netaji Subhash Place, Wazirpur District Centre, New Delhi, 110034, India
Tel: +91-11-47062626
Fax: +91-11-47062624

SATAKE (THAILAND) CO., LTD.
133 Moo 5, Bangkadi Industrial Park Tivanon Road, Patumthani 12000 Thailand
Tel: +66-2-501-1180
Fax: +66-2-501-1188
e-mail: sataketh@asia.com

SATAKE INTERNATIONAL BANGKOK CO.,LTD.
630-152 Mahatun Plaza Bld 15th Floor Ploenchit Rd., Lumpini Pathumwan Bangkok 10330, THAILAND
Tel: +66-2-651-5845
Fax: +66-2-651-5848
e-mail: sataketh@asia.com

SATAKE MANUFACTURING (SUZHOU) CO., LTD.
Jin Feng Road, Suzhou City, Jiangsu Province P.R.China
Tel: +86-512-6536-8225
Fax: +86-512-6536-3004
URL: www.satake-suzhou.com.cn

SATAKE AUSTRALIA PTY.LTD.
23-25 Marigold Street, Revesby, NSW 2212 Australia
Tel: +61-2-9774-1155
Tel: +61-2-9774-1248
e-mail: sataus@ozemail.com.au
URL: www.satake.com.au